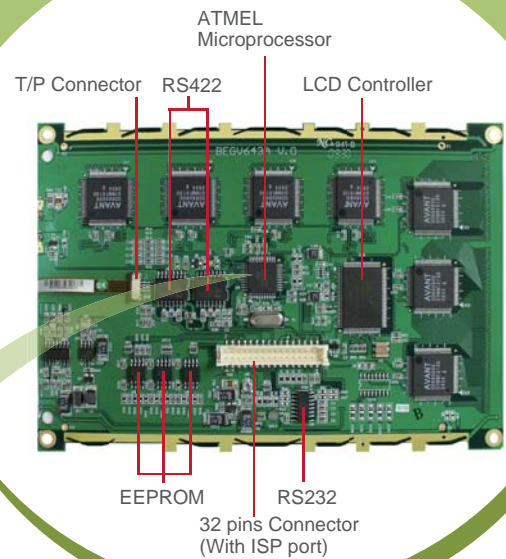


BEGV643A

µp Display Embedded System



Your 64KB application program here!

Features

- High performance, Low power AVR 8-bit microprocessor
- Built-in 64KB ISP Flash memory / 4KB SRAM
- On board updateable 128KB EEPROM
- One isolated RS485 / 422 / 232, 1 x RS232
- High speed SPI and I²C
- Lower voltage operation to 3.3V
- Built-in 4-wired resistive touch panel
- Current consumption 180mA
- 320 x 240 monochrome STN LCD
- On-chip power-on reset(POR) and programmable watchdog reset
- Comprehensive set of development tools and application notes for self programming
- RS485 / 422 / 232 driver, SPI driver, I²C driver, touch panel driver, LCM driver and utility are supported
- Dimension (W x H x D): 160 x 109 x 16.5mm

Hardware Specifications

Processor

- ATMEL ATMEGA644P AVR 8-bit microprocessor

Memory

- 64KB in-system programmable flash
- 2KB internal EEPROM
- 4KB internal SRAM
- 64KB x 2 external I²C CMOS EEPROM (option: 64KBx3)

Display Interface

- Support 8-bit single scan 320 x 240 monochrome STN LCD (edge LED white backlight)

RS232 / 422 / 485 Port

- Support dual serial port, one is three-wired RS232, another is shared in among RS232 / isolated RS422 / isolated RS485 port by option

Serial Peripheral Interface

- One full-duplex, three-wired synchronous data transfer SPI port
- One two-wired serial interface(I²C) up to 250KHz data transfer speed

Touch Panel Interface

- Support four-wired resistive touch panel interface

Software Utilities

- Support RS232 / 422 / 485 driver, SPI driver I²C driver, touch panel driver and LCM driver for free

DC Requirement

- DC3.3V~5.5V

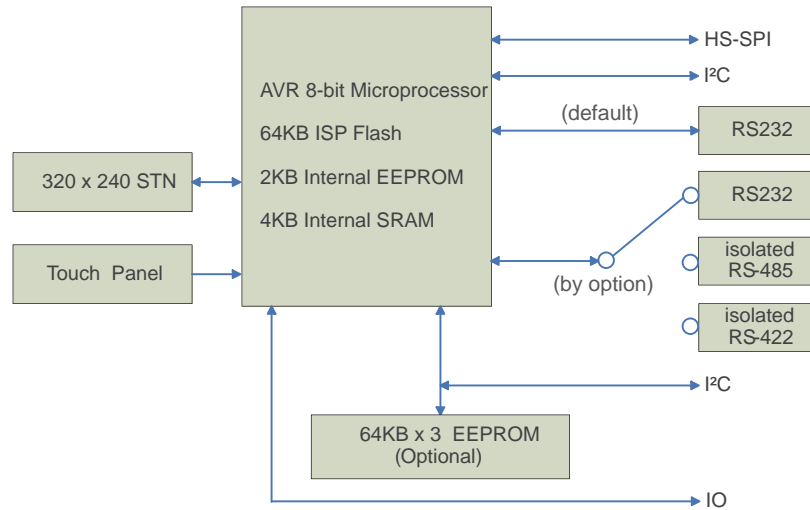


BOLYMIN, INC.

Packing List

- BEGV643A Embedded System, MKII Writer
- User Manual
- Software Utility Disc
- MKII and ISP Cable (option)

BEGV643A BLOCK DIAGRAM



Pin Mapping Table

PIN NO.	Signal	PIN NO.	Signal	PIN NO.	Signal
1	GND	12	422RP	23	RX1
2	EEPSDA	13	MOSI	24	GND2
3	VDD	14	422RN	25	TX1
4	EEPSCCL	15	MISO	26	GND2
5	Vadj	16	422TP/485P	27	SDA
6	EEPWP	17	SCK	28	EN485
7	Vout	18	422TN/485N	29	SCL
8	IOB	19	RX0	30	A
9	/Reset	20	VDD2	31	IOA
10	NC	21	TX0	32	K
11	/SS	22	VDD2		

Order Information

Parts NO.	Description	RS232-A	RS232-B	RS422	RS485
BEGV643A	Dual RS232	☆	☆		
BEGV643A1	One RS232	☆			
BEGV643A2	One RS232/One RS422	☆		☆	
BEGV643A3	One RS232/One RS485	☆			☆

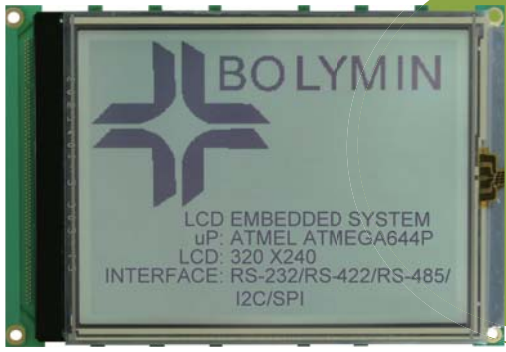
Display: FSTN/Gray LCD,LED/White Backlight(Default)

BEGV641A & BEGV643A Display Embedded System

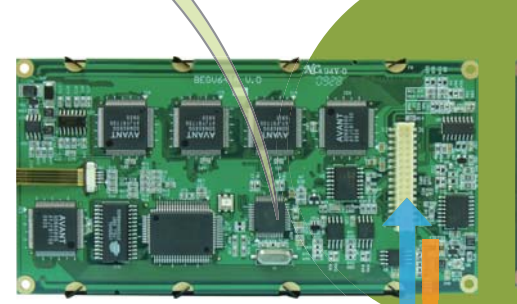
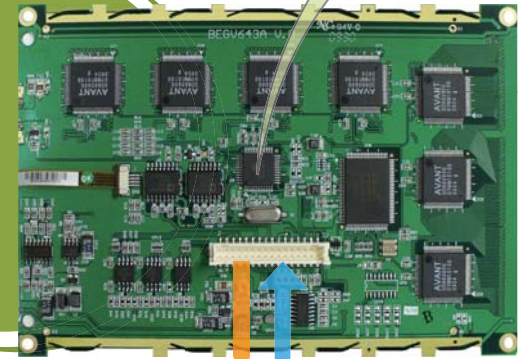
ATMEL AVR 8bit microprocessor
 ATMEGA644P
 64K Bytes In-system programmable flash
 4K Bytes SRAM
 2K Bytes EEPROM

Your 64KB
programme
here!!

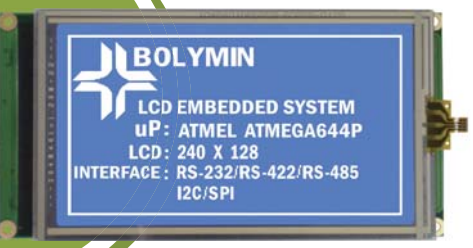
320 x 240 STN



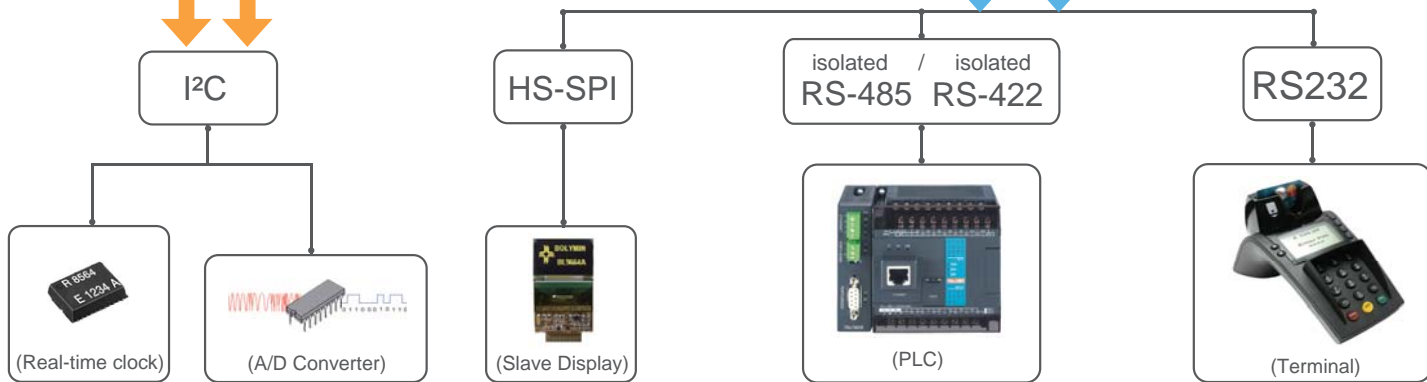
BEGV643A



240 x 128 STN



BEGV641A



BOLYMIN, INC.