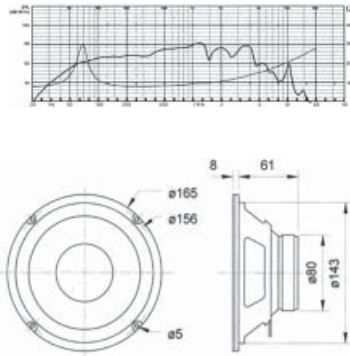


## W 170/8

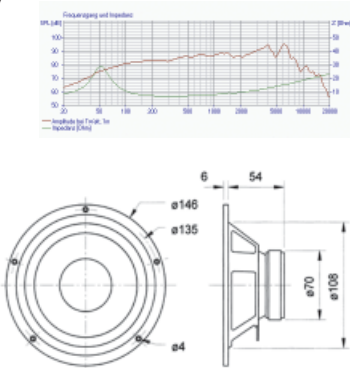
17 cm (6.5") HiFi woofer with very good price/performance ratio. Suitable for simple 2-way speakers and car rear tray systems. Especially suited als replacement driver for many HiFi speakers.



Technical Parameters		W 170/8
Diameter		165 mm
Depth		61 mm
Rated Noise Power		40 W
Short Term Maximum Power		70 W
Impedance		8 Ω
Resonant Frequency		68 Hz
Rated Frequency Range		68-6000 Hz
Sensitivity		87 dB
<b>Part No.</b>	<b>Ord.No.</b>	
S W 170/8	46288	

## W 130 S/8

13 cm (5") HiFi low-midrange driver with coated paper cone, elastic rubber surround and 25 mm voice-coil. Suitable as woofer and due to the very balanced frequency response also as low-midrange driver especially in large 3-way speaker systems.



Technical Parameters		W 130 S/8
Diameter		146 mm
Depth		54 mm
Rated Noise Power		50 W
Short Term Maximum Power		80 W
Impedance		8 Ω
Resonant Frequency		49 Hz
Rated Frequency Range		49-12000 Hz
Sensitivity		87 dB
<b>Part No.</b>	<b>Ord.No.</b>	
S W 130 S/8	46299	

## Other Woofers

### ZYD385B-8-72

15" Kenford woofer for PA systems with paper cone.



Technical Parameters		ZYD385B-8-72
Diameter		350 mm
Depth		160 mm
Rated Noise Power		300 W
Short Term Maximum Power		600 W
Impedance		8 Ω
Resonant Frequency		39 Hz
Rated Frequency Range		39-3500 Hz
Sensitivity		97 dB
<b>Part No.</b>	<b>Ord.No.</b>	
O ZYD385B-8-72	57843	

### DY H 1530

The large-diameter diaphragm and low resonant frequencies ensure powerful bass rendition. Strengthened NAWI diaphragms, warp-resistant steel baskets, flexible mounting with foam-plastic bead.



Technical Parameters		DY H 1530
Diameter		358 mm
Depth		120 mm
Rated Noise Power		150 W
Short Term Maximum Power		250 W
Impedance		4 Ω
Resonant Frequency		25 Hz
Rated Frequency Range		25-2500 Hz
Sensitivity		88,6 dB
<b>Part No.</b>	<b>Ord.No.</b>	
S DY H 1530	59964	

### ZYD300B-8-67

12" Kenford woofer for PA systems with paper cone.



Technical Parameters		ZYD300B-8-67
Diameter		280 mm
Depth		130 mm
Rated Noise Power		250 W
Short Term Maximum Power		500 W
Impedance		8 Ω
Resonant Frequency		54 Hz
Rated Frequency Range		47-4000 Hz
Sensitivity		95 dB
<b>Part No.</b>	<b>Ord.No.</b>	
O ZYD300B-8-6	56540	