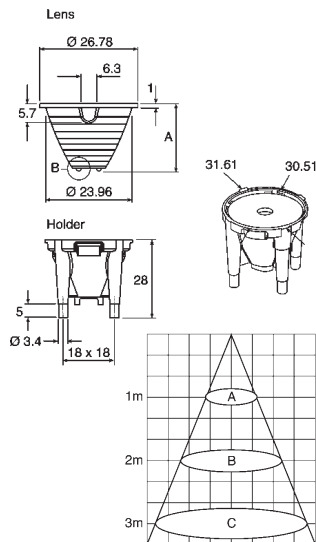


Accessories

FHS Series - Lenses for LUXEON LED



The FHS series offers a complete range of lenses specially designed for the LUXEON LED from Lumileds. Both Batwing and Lambertian radiation patterns are supported. A software optimized aspheric profile combined to front shaped micro-lens arrays enable the generation of four different lens models: narrow beam, medium beam, wide beam and a special elliptical pattern. The high collection efficiency reaches the 85% of the total flux emitted from the LED.

Typical applications are:

Reading Lamps

Signs

Street Lights

General Illumination

Most applications where uniformity and high intensity over a wide angle is required

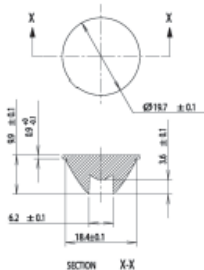
Technical data

Beam	Part No.	A (1m) [Lux]	B (2m) [Lux]	C (3m) [Lux]
Batwing				
Slim	FHS-HNB 1-LB01-x	13.4	3.4	1.5
Medium	FHS-HMB 1-LB01-x	4.1	1.1	0.5
Wide	FHS-HWB 1-LB01-x	1.6	0.4	0.2
Lambertian				
Slim	FHS-HNB 1-LL01-x	17.1	4.3	1.9
Medium	FHS-HMB 1-LL01-x	5.5	1.4	0.6
Wide	FHS-HWB 1-LL01-x	1.8	0.5	0.2

Part No.	Description
FHS-HNB-LB01-H	Lens for Luxeon LED 10° beam
FHS-HWB1-LB01-H	Lens for Luxeon LED 45° beam
FHS-HWB1-LL01-H	Lens for Luxeon LED 45° beam

Part No.	Ord. No.
o FHS-HNB-LB01-H	48931
o FHS-HWB1-LB01-H	53203
o FHS-HWB1-LL01-H	53694

CARCLO Series - Lenses for LUXEON POWER LED



Part No.	Description
CARCLO 10003	Lens for Luxeon Power LED 12°
CARCLO 10003/15	Lens for Luxeon Power LED 30°
CARCLO 10003/25	Lens for Luxeon Power LED 50°

Part No.	Ord. No.
s CARCLO 10003	60304
s CARCLO 10003/15	60164
s CARCLO 10003/25	60303

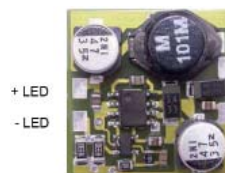
CARCLO Series - Lens Holder for LUXEON



Part No.	Description
CARCLO 10121	Lens holder for Luxeon K2 white

Part No.	Ord. No.
s CARCLO 10121	65464

HKO Series - High Power Constant Current Source

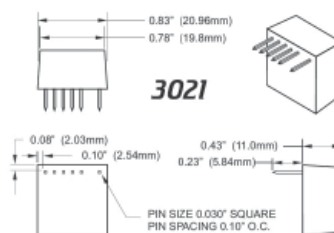


- Startup ca. 5,2 Volt (for one 1 Watt LED)
- Drop: ca. 1,8 Volts
- Output: protected against short circuit
- Output current: 350 mA resp. 700mA constant
- Input: reverse polarity protection
- Efficiency: between 75% and 90% depending on the number of LEDs

Part No.	Description
HKO 350	Current power supply for LED 350mA (5,2-24V)
HKO 700	Current power supply for LED 700mA (5,8-24V)

Part No.	Ord. No.
o HKO 350	54143
o HKO 700	54144

BuckPuck DC LED Driver for LUXEON - 3021 Series



Part No.	Description
3021-D-E-0350	350mA DC LED driver, 5,0-32V
3021-D-E-1000	1000mA DC LED driver 5,0-32V

Part No.	Ord. No.
s 3021-D-E-0350	64640
s 3021-D-E-1000	64974

NEW!



Part No.	Description
SLP 03 SS	Constant-current source for LED 1W, 230V

Part No.	Ord. No.
s SLP 03 SS	71143

LED Tester



LED Tester 80x60x22mm

Part No.	Ord. No.
s LED TESTER	52245