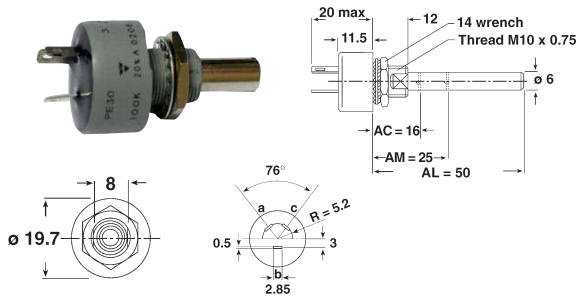


## Power Potentiometers

### PE30K Series - Cermet



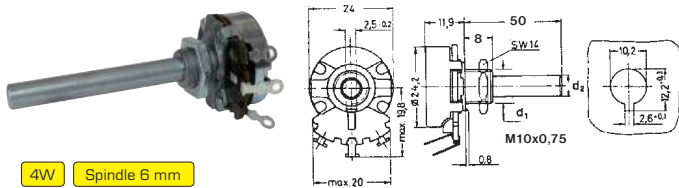
IP 67 3W Spindle 6 mm

Technical parameters		PE30K	
Spindle		6mm	
Resistance Taper		linear	
Power Rating		3W	
Electrical Travel		278±10°	
Mechanical Travel		300±5°	
Maximum Working Voltage		300V at 70°C	
Tolerance		±20%	
Manufact. Part Number		PE30 AL	
How to order		PE30K 1K	

Ohmic Value	LIN
1K	o 68795
4,7K	o 52025
10K	o 9568

Ohmic Value	LIN
47K	o 68794
100K	o 64845

### PD5W Series - Wirewound



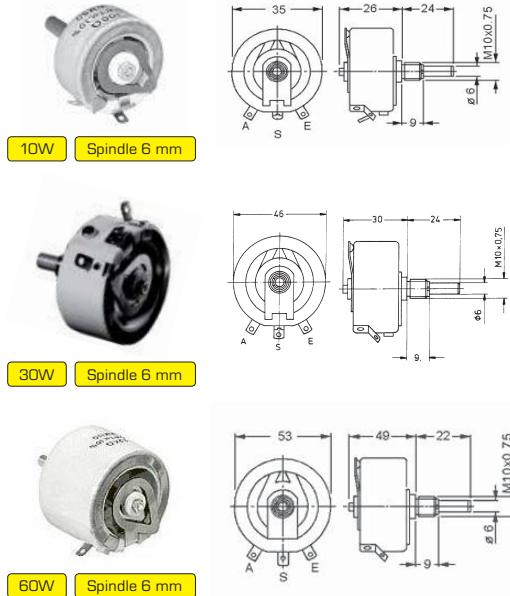
4W Spindle 6 mm

Technical parameters		PD5W	
Spindle		6mm	
Resistance Taper		linear	
Power Rating		4W at 40°C	
Electrical Travel		280±5°	
Mechanical Travel		300±10°	
Maximum Working Voltage		500V	
Resistance Tolerance		±10 (<10 Ohm ±20%)	
Package		5 pcs	
Manufact. Part Number		AW	
How to order		PD5W 1K	

Ohmic Value	LIN
2,5R	o 68526
5,0R	o 68527
10R	o 60589
25R	o 68528
50R	o 68529
100R	o 6125
250R	o 9490

Ohmic Value	LIN
500R	o 9042
1K	s 6339
2,5K	s 2815
5K	s 3546
10K	s 3788
25K	o 8854

## PZD Series - Wirewound



10W Spindle 6 mm

30W Spindle 6 mm

60W Spindle 6 mm

Technical parameters		PZD10	PZD30	PZD60
Spindle Ø/l		6mm/15mm	6mm/15mm	6mm/13mm
Resistance Taper			linear	
Power Rating at 40°C		10W	30W	60W
Electrical Travel		250°	270°	262°
Mechanical Travel		266°	287°	282°
Maximum Working Voltage			2000V	
Resistance Tolerance			±10%	
Dimensions		D35xM10mm	D46xM10mm	D53xM10
Manufact. Part Number		E10W	E30W	E60W
How to order		PZD10W 1K	PZD30W 1K	PZD560W 1K

Ohmic Value	PZD10	PZD30	PZD60
10R	o 68777	o 60312	o 68786
22R	o 68778	o 68783	o 68787
47R	o 68779	o 68784	o 68788
100R	o 55512	o 45459	o 61423
220R	o 65561	o 7816	o 68789
470R	o 68780	o 59374	o 68790
1K	o 59775	o 3479	o 68791
2,2K	o 68781	o 68785	o 68792
4,7K	o 59405	o 44754	o 68793
10K	o 68782	o 4649	