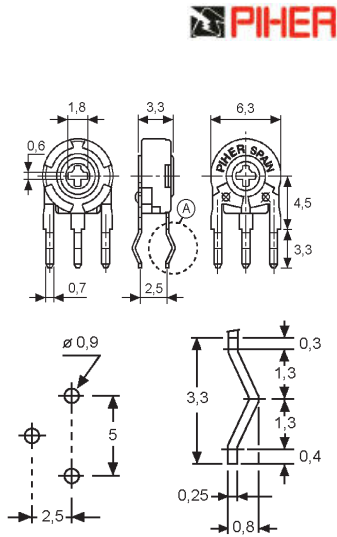


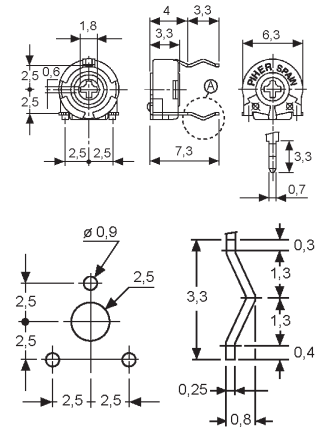
Carbon Trimmers

PT 6 Series

Type PT 6 H  
vertical mount – horizontal adjust



Type PT 6 V  
horizontal mount – vertical adjust



6 mm

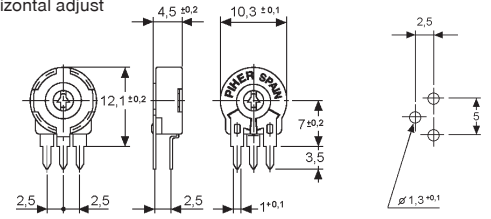
Technical parameters	PT 6 H	PT 6 V
Max. Voltage	100V DC	100V DC
Range of Values	250 Ω - 1 MΩ	250 Ω - 1 MΩ
Tolerance	±20%	±20%
Electrical rotation angle	200 ±20°	200 ±20°
Operating Temperature	-25...+70°C	-25...+70°C
Power Rating at 50°C	0,1W	0,1W
Mounting Methods	vertical mount – horizontal adjust	horizontal mount – vertical adjust
Package	1000 pcs	1000 pcs
Manufact. Part Number	PT-6 KH	PT-6 KV
How to order	PT 6 H 250R	PT 6 V 250R

Ohmic Value	PT 6 H	PT 6 V
250R	O 22546	O 22559
500R	O 22547	S 22560
1K	S 22548	S 22571
2,5K	S 22549	S 22561
5K	S 22550	S 22562
10K	S 22551	S 22563
25K	O 22552	O 22564
50K	O 22553	S 22565
100K	S 22554	S 22566
250K	O 22555	O 22567
500K	O 22556	O 22568
1M	O 22557	O 22569

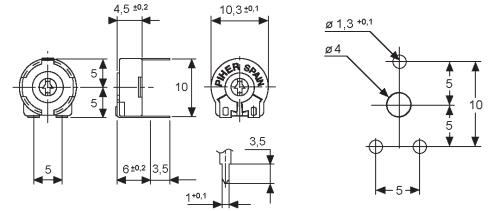
Minimum ordering quantity 5pcs is intended for items marked by "O"

PT10 L Series

Type PT 10 LH  
vertical mount – horizontal adjust



Type PT 10 LV  
horizontal mount – vertical adjust



10mm

Technical parameters	PT 10 LH	PT 10 LV
Max. Voltage	200V DC	200V DC
Range of Values	100 Ω...500 KΩ	100 Ω...500 KΩ
Tolerance	±20%	±20%
Electrical rotation angle	220 ±20°	220 ±20°
Operating Temperature	-25...+70°C	-25...+70°C
Power Rating at 50°C	0,15W	0,15W
Mounting Methods	vertical mount – horizontal adjust	horizontal mount – vertical adjust
Package	500 pcs	500 pcs
Manufact. Part Number	PT-10 LH 01	PT-10 LV 10
How to order	PT 10 LH 250R	PT 10 LV 250R

Ohmic Value	PT 10 LH	PT 10LV
100R	S 15836	O 15851
250R	O 15837	S 15852
500R	O 15838	S 15853
1K	S 15839	S 15854
2,5K	S 15840	S 15855
5K	S 15841	S 15856
10K	S 15842	S 15857
25K	O 15843	S 15858
50K	O 15844	S 15859
100K	S 15845	S 15860
250K	O 15846	O 15861
500K	O 15847	O 15862

Minimum ordering quantity 5pcs is intended for items marked by "O"